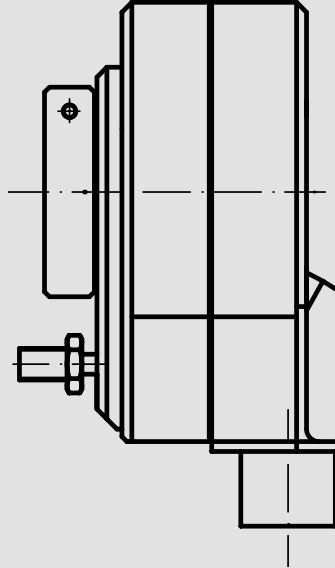


AHE 7,5

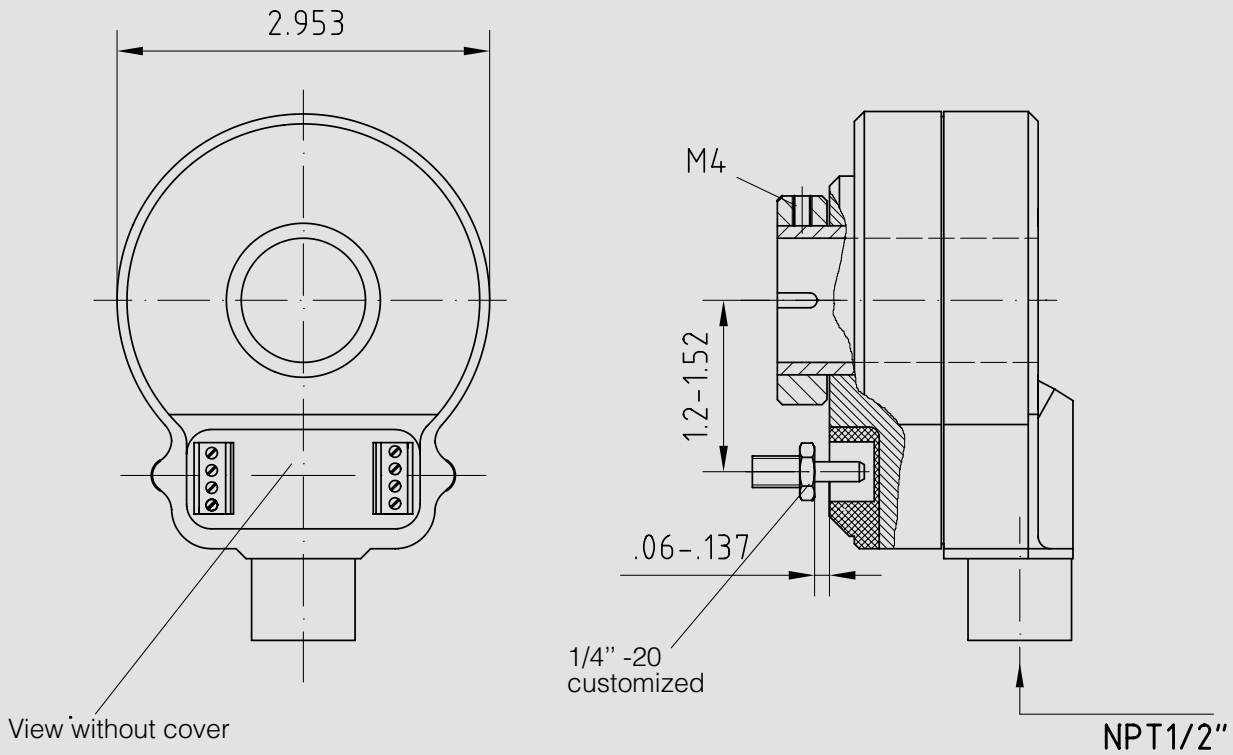


Important notes

- The **Incremental encoder AHE 7,5** is a opto-electronic **precision speed measurement device** which must be handled with care by skilled personnel during transportation, mounting and operation.
 - Hollow shaft must be installed to the motor shaft **without** pressure to avoid a damage of the ball bearings.
 - The device is manufactured according to **quality standard** DIN ISO 9001, **EU Declaration of Conformity** meeting Council Directive 89/336/EEC art. 10 and annex 1 (EMC Directive).
 - Do not connect outputs to **supply voltage**:
- **Shielded cables** should be used with twisted lead pairs. If possible, they should be placed uninterrupted and separately, but at a clear distance from the motor cables. Normally the cable shield is connected to a large surface on the housing via a cable screw or an earth clamp.
- **Cable terminating resistance** 120 Ω for TTL and sinewave.
- The expected **operating life** of the devices is governed by the **ball bearings**, which are manufactured with a permanent lubrication to give approx. 20,000 operating hours ($\geq 10^9$ revolutions).

!!! Danger of Damage !!!

Please, pay attention to possible voltage drop in long cable leads (input and output).



Terminal strip

